

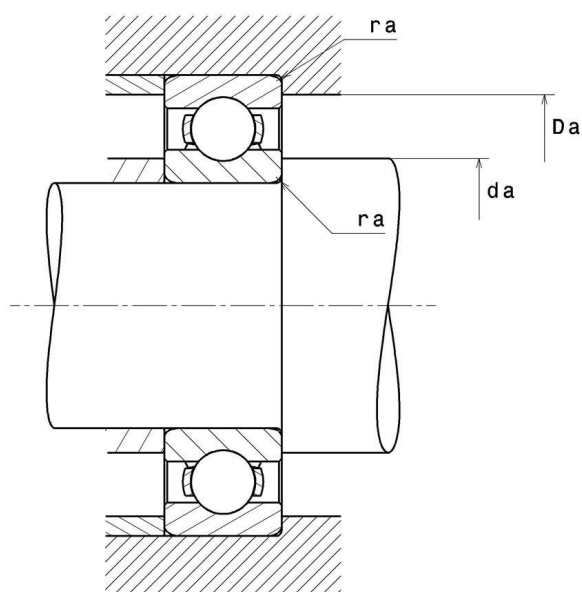
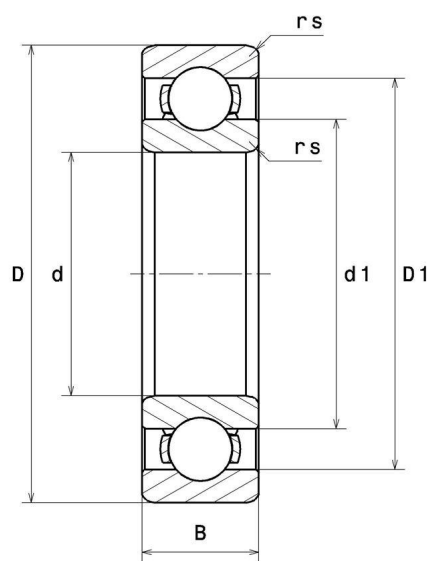
Technical data

6212C3

Single row deep groove ball bearings

Deep groove ball bearing, radial contact, pressed steel cage, open

VISUAL (S)



6212C3

Single row deep groove ball bearings

PRODUCT DEFINITION

Brand	NTN
d - Internal diameter	60 mm
D - External diameter	110 mm
B - Bearing/Inner ring width	22 mm
rs - Min fillet radius	1,5 mm
Radial clearance class	C3
Mass	0,783 kg

PRODUCT PERFORMANCE

C - Dynamic load	58 kN
C0 - Static load	36 kN
Cu - Fatigue limit load	2,83 kN
f0 - Coefficient	14.3
Nlim - Oil lubrication limit speed	7000 tr/min
Nlim - Grease lubrication limit speed	6000 tr/min
Tmin - Min operating temperature	-40 °C
Tmax - Max operating temperature	120 °C

ABUTMENT

da min - Min shoulder diameter IR	68 mm
Da max - Max shoulder diameter OR	102 mm
ra max - Max shaft & housing fillet radius	1,5 mm

INDUSTRY CALCUL FACTORS

Equivalent dynamic radial load

$$P = X.F_r + Y.F_a$$

$\frac{f_0 F_a}{C_0}$	e	Fa / Fr ≤ e		Fa / Fr > e	
		X	Y	X	Y
0.172	0.19	1	0	0.56	2.3
0.345	0.22				1.99
0.689	0.26				1.71
1.03	0.28				1.55
1.38	0.3				1.45
2.07	0.34				1.31
3.45	0.38				1.15
5.17	0.42				1.04
6.89	0.44				1

Equivalent static radial load

$$P_0 = X_0.F_r + Y_0.F_a$$

X_0	Y_0
0.6	0.5

For single or DT bearing arrangement:

If $P_0 < F_r$, then use $P_0 = F_r$